

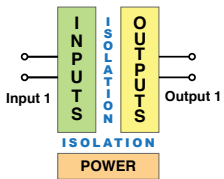


Leopard AC Volts Transmitter

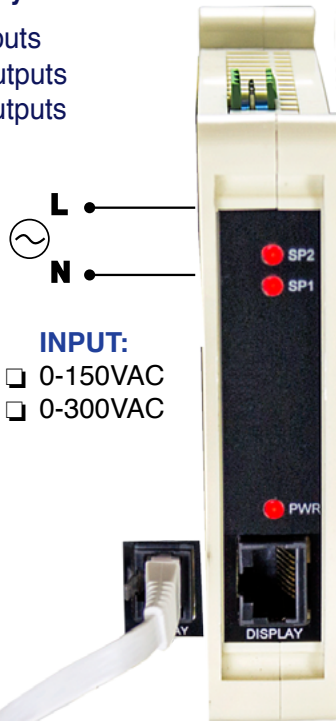
TL-IA01 AC Volts Scaled RMS

TL-IA06 AC Volts True RMS

- ▶ Compact, 22.5mm, DIN Rail Mount Transmitter
- ▶ AC Volts Scaled or True RMS to 4-20mA Transmitter
- ▶ Two optional 6A FormC Relays
- ▶ Triple Isolated: Power to Inputs
Power to Outputs
Inputs to Outputs



Power to Inputs
Power to Outputs
Inputs to Outputs



L ——— - Active
N ——— + Isolated

OUTPUT
 4-20mA
 0-10V

INPUT:
 0-150VAC
 0-300VAC

SP1
 Optional Relay

6A Form C Relays

SP2
 Optional Relay



Optional Remote Display Programmer
 Needed for Programming Relays



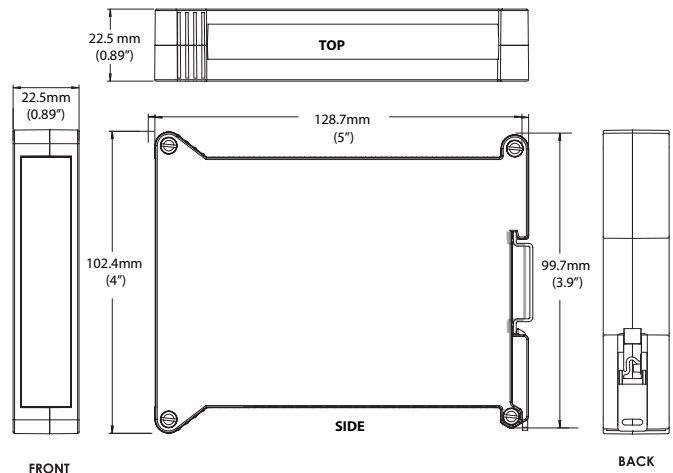
POWER SUPPLY

15 to 48 VAC 3.5W
 50-400 Hz

PS2 Fuse Not Replaceable
 10 to 72 VDC 3.5W

PS1 85 to 265 VAC 3.5W
 50-400 Hz
 95 to 300 VDC 3.5W

CASE DIMENSIONS



TL-IA01 . . . AC Volts Scaled RMS.....\$189
 TL-IA06 . . . AC Volts True RMS.....\$209

▶ **POWER SUPPLY**

PS1 85-265VAC/95-300VDC\$0
 PS2 15-48VAC/10-72VDC\$35

▶ **RELAY OUTPUT**

R11 . . Single 6A Form C Relay\$40
 R12 . . Dual 6A Form C Relays\$75

Short Depth 96x48 Remote Display/Programmer Kit
 OP-TL/RDISP . . Remote Display/Programmer
 w/Cable and Belt clip Carrying Case\$75



- For ordering info call: 1-800-TEXMATE or 760 598-9899
- Email: orders@texmate.com • Fax: (760) 598-9828
- For tech assistance call: (760) 598-9899

450 State Place, Escondido, CA 92029